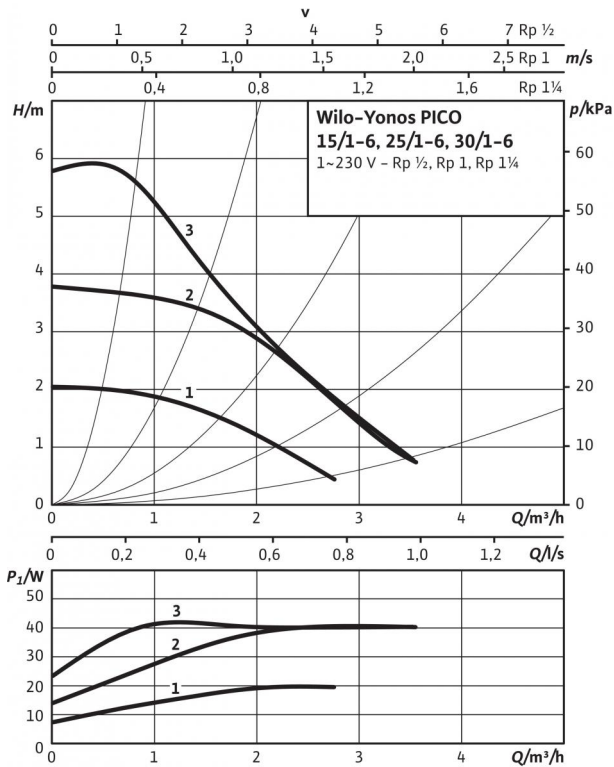
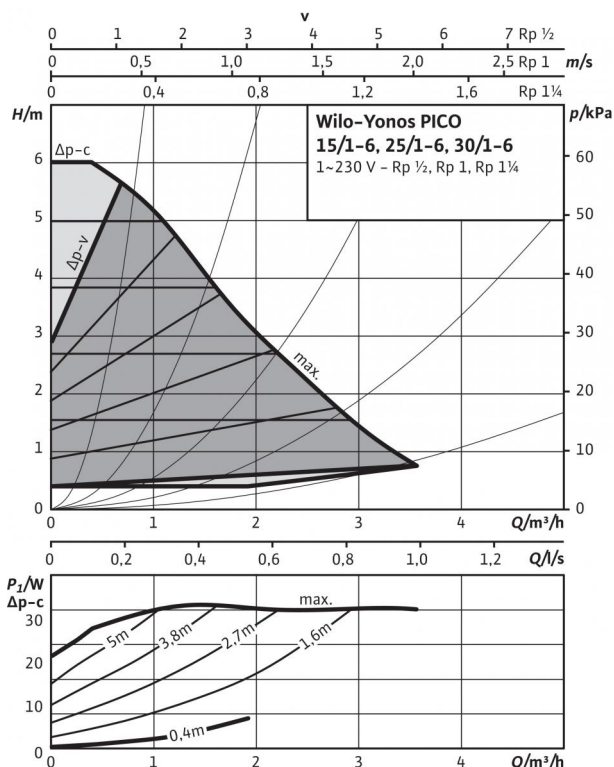


Data sheet: Yonos PICO 25/1-6-130

Pump curves Δp -c (constant)



Pump curves Δp -v (variable)



Approved fluids (other fluids on request)

Heating water (in accordance with VDI 2035)

Water-glycol mixtures (max. 1:1; above 20% admixture, the pumping data must be checked)

Permitted field of application

Temperature range at max. ambient temperature +25 °C

Temperature range at max. ambient temperature +40 °C

Maximum permissible operating pressure P_{max}

Pipe connections

Threaded pipe union

Nominal flange diameter

Thread

Overall length L_0

Motor/electronics

Energy efficiency index (EEI)

Electromagnetic compatibility

Emitted interference

Interference resistance

Speed control

Protection class

Insulation class

Mains connection

Speed n

Rated power P_2

Power consumption P_1

Current consumption I

Motor protection

Screwed cable connection connector

Materials

Pump housing

Impeller

Pump shaft

Bearing

Minimum suction head at suction port for avoiding cavitation at water pumping

temperature

Minimum suction head at 50 / 95 / 110 °C

Information for order placements

Make

Type

Art no.

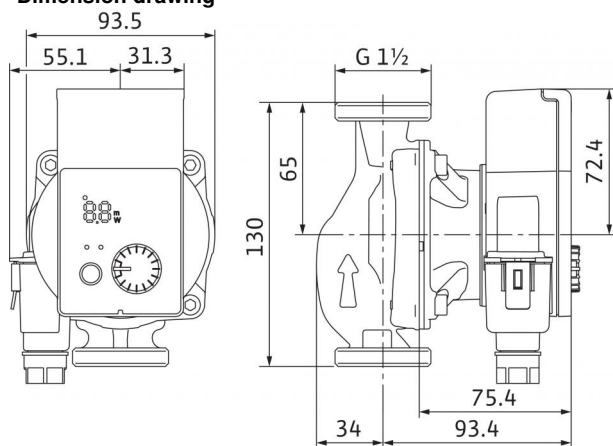
Weight approx. m

• = appropriate, - = not appropriate

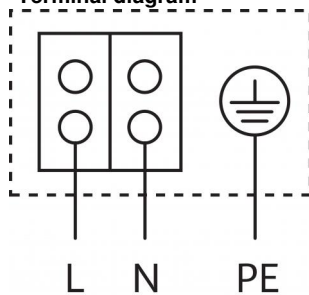
The benchmark for the most efficient circulators is EEI \leq 0.20.

Data sheet: Yonos PICO 25/1-6-130

Dimension drawing



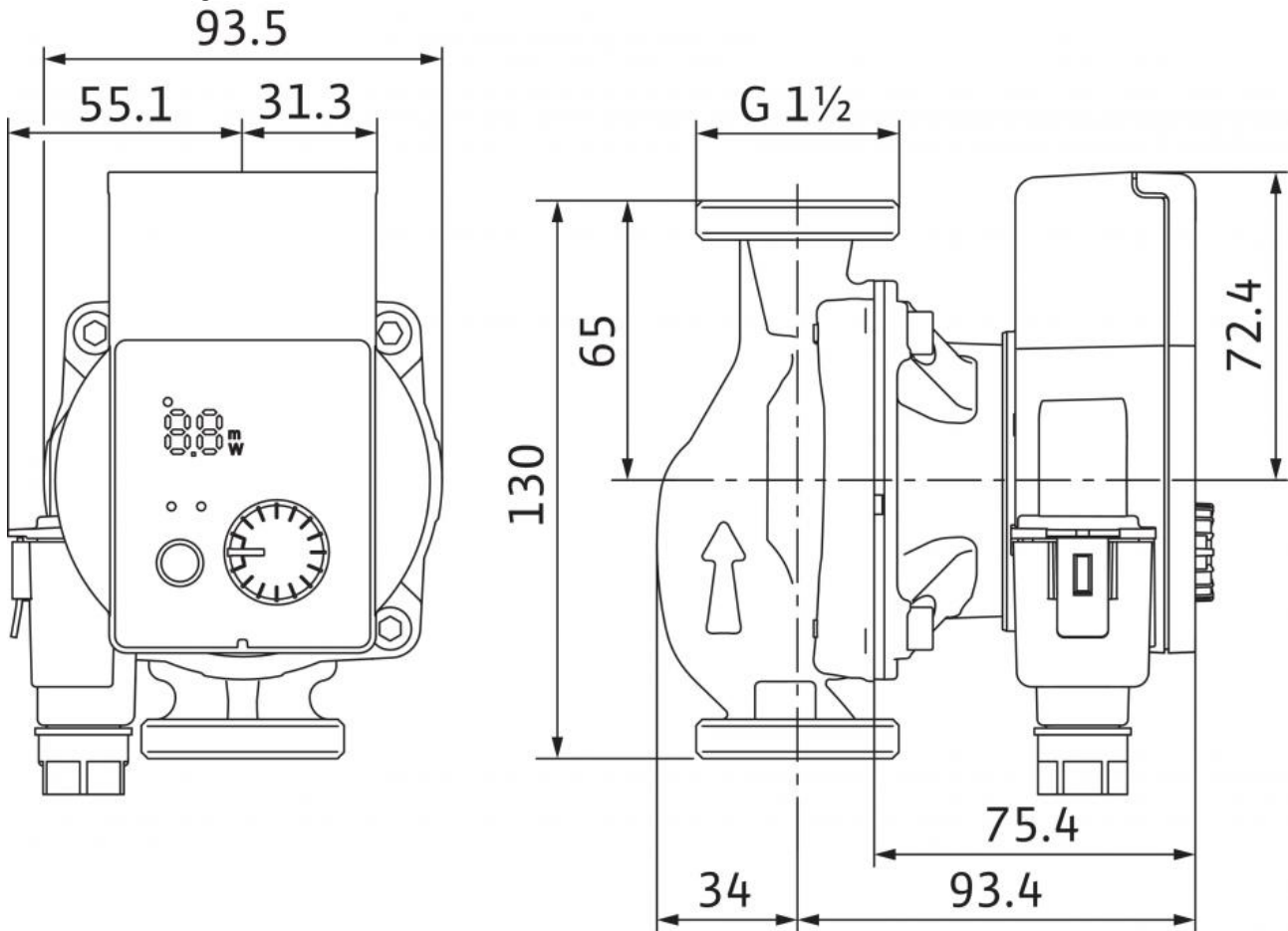
Terminal diagram



Blocking current-proof motor
 Single-phase motor (EM) 2-pole - 1~230 V, 50 Hz

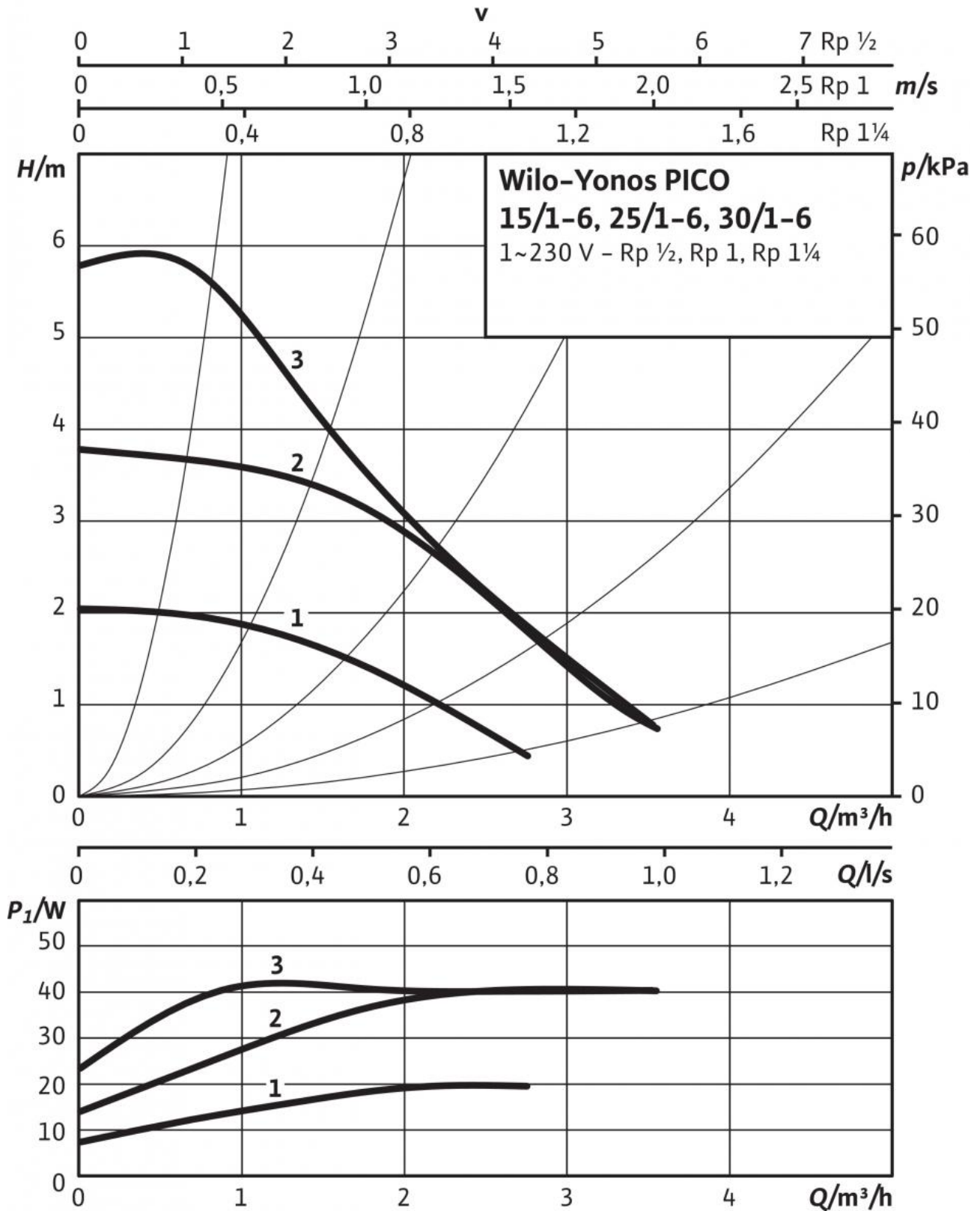
Dimensions and dimensions drawings: Yonos PICO 25/1-6-130

Dimension drawing



Pump curves: Yonos PICO 25/1-6-130

Pump curves Δp -c (constant)



Pump curves: Yonos PICO 25/1-6-130

Ordering information: Yonos PICO 25/1-6-130

Make	Wilo
Type	Yonos PICO 25/1-6-130
Art no.	4215516
EAN number	4048482758480
Colour	Green
Minimum order quantity	1
Minimum order quantity unit	PCE
Packaging type	Cardboard box
Pieces per pallet	198
Number per layer	24

Tender text: Yonos PICO 25/1-6-130

High-efficiency pump Wilo-Yonos PICO, electronically controlled. Maintenance-free glandless circulator with screwed connection, blocking-current proof synchronous motor according to ECM technology and built-in electronic power control for variable differential pressure control. Can be used for all heating and air-conditioning applications. Control mode can be selected in accordance with the radiator/underfloor heating application.

Standard-equipped with:

- Preselectable control modes for optimum load adjustment: Differential pressure constant (Δp -c), differential pressure variable (Δp -v), constant speed (3 pump curves)
- Integrated motor protection
- LED for setting the setpoint and displaying the current consumption in watts
- Automatic deblocking function
- Manual pump venting function for venting the rotor chamber
- Manual restart

Permitted field of application

Temperature range at max. ambient temperature +25 °C: -10...+110 °C

Temperature range at max. ambient temperature +40 °C: -10...+95 °C

Maximum permissible operating pressure P_{max} : 10 bar

Pipe connections

Threaded pipe union: Rp 1

Overall length L_0 : 130 mm

Motor/electronics

Energy efficiency index (EEI): ≤ 0.20

Electromagnetic compatibility: EN 61800-3

Emitted interference: EN 61000-6-3

Interference resistance: EN 61000-6-2

Speed control: Frequency converter

Protection class: IP X2D

Insulation class: F

Mains connection: 1~230 V, 50/60 Hz

Speed n : 800 - 4200 rpm

Rated power P_2 : 30 W

Power consumption 1~230 V P_1 : 0 / 0 / 0 W

Max. current I : 0.44 A

Motor protection: Not required (blocking-current proof)

Screwed cable connection connector: 11 PG

Materials

Pump housing: Grey cast iron (EN-GJL-200)

Impeller: Plastic (PP - 40% GF)

Pump shaft: Stainless steel

Bearing: Carbon, metal impregnated

Minimum suction head at suction port for avoiding cavitation at water pumping temperature

Minimum suction head at 50 °C: 0.4999974 m

Minimum suction head at 95 °C: 2.999995 m

Minimum suction head at 110 °C: 10 m

Minimum suction head at 130 °C H : 0 m

Information for order placements

Art no.: 4215516

EAN number: 4048482758480

Weight approx. m : 1.65 kg

Make: Wilo

Designation: Wilo-Yonos PICO 25/1-6-130